



P7-0004

Color Display Sequence : R -G -B -RG -GB -RB -RBG
 Cycle Time About : 32~48 sec

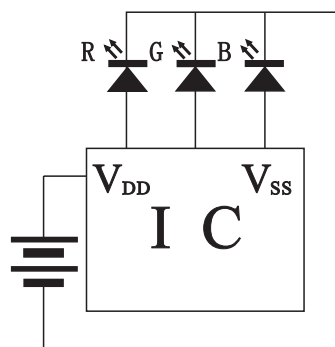
Absolute Maximum Ratings(Ta = 25°C)

Parameter	Value	Unit
Operate Voltage	3.0~5.5	V
Dominant Wavelength	R	620 nm
	G	515 nm
	B	460 nm
Operation Temperature	-30 ~ 85	°C
Storage Temperature	-30 ~ 85	°C

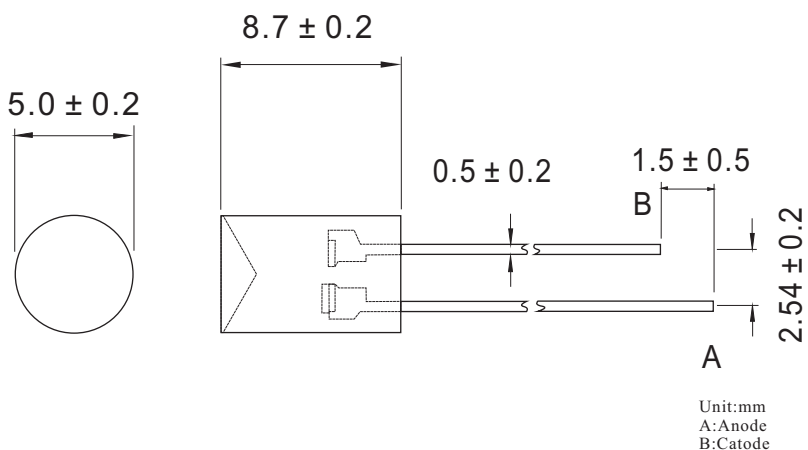
Electrical Characteristics at 25°C

Parameter	Symbol	Conditions	Typ	Unit
Power Consumption	P _O	V _{DD} =4.5V	225	mW
Reverse Current	I _R	V _{DS} =1.2V	≤150	uA
Peak Forward Current	I _{PF}	V _{DD} =4.5V	≤145	mA
Continuous Forward Current	I _F	V _{DD} =4.5V	85	mA
Luminous Intensity	I _v	R	1000	mcd
		G	4000	mcd
		B	2000	mcd
Viewing Angle	Δθ°		-	deg
Flash Frequency	F	V _F =4.5V	0.2	Hz

Application Diagram



Dimensions



D7-0004