

### Features:

- Complete CdS Replaceable
- Being RoHS Compliant
- Lead free.



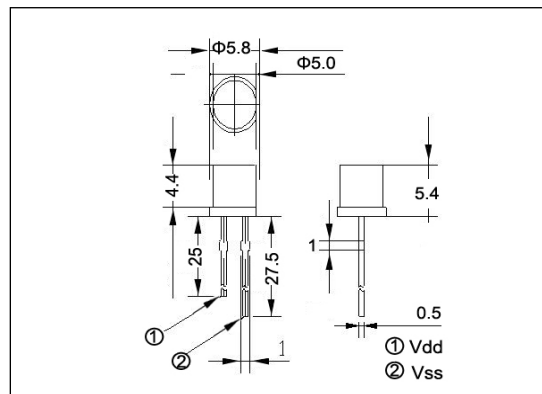
### Applications:

- Night-light
- Garden Light
- Light Adapter

### Package outline ( in mm )

### PIN Configuration:

Item	Description
①	Collector ( +ve)
②	Emitter ( -ve )



### Electrical and Optical Characteristics:

The following parameters apply over the operating temperature range  $-40^{\circ}\text{C}$  to  $+85^{\circ}\text{C}$ , and with  $R_{ss} = 10\text{K Ohms}$ ,  $V_{dd} = 5\text{V}$ .

Parameter	Symbol	Test Conditions	Type	Unit
Minimum Operational Voltage	$V_{dd}$	$I_{ss} = 250 \mu\text{A}$	2.4	V
Peak Spectral Response	$\lambda_{PR}$	$V_{dd} = 5\text{V}$ , $EV = 5 \text{ Lux}$	550	nM
Photocurrent	$I_L$	$V_{dd} = 5\text{V}$ , $EV = 100 \text{ Lux}$	30	$\mu\text{A}$
Dark Current	$I(\text{Dark})$		0.15	$\mu\text{A}$
Linear Response Range	EV		1-200	Lux
Switching Time	Rise Time	$V_{dd} = 5\text{V}$ , $R_{ss} = 10\text{K}\Omega$	8.5	mS
	Fall Time		8.5	

Tolerances for Photo current will be about  $\pm 50\%$

Output capacitance has an effect on switch time.

The white LED is regarded as light source.