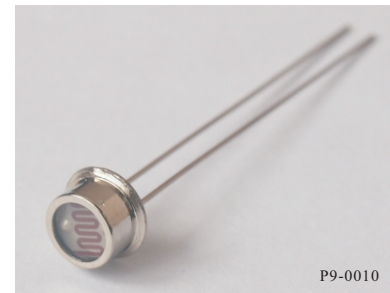


### Absolute Maximum Ratings

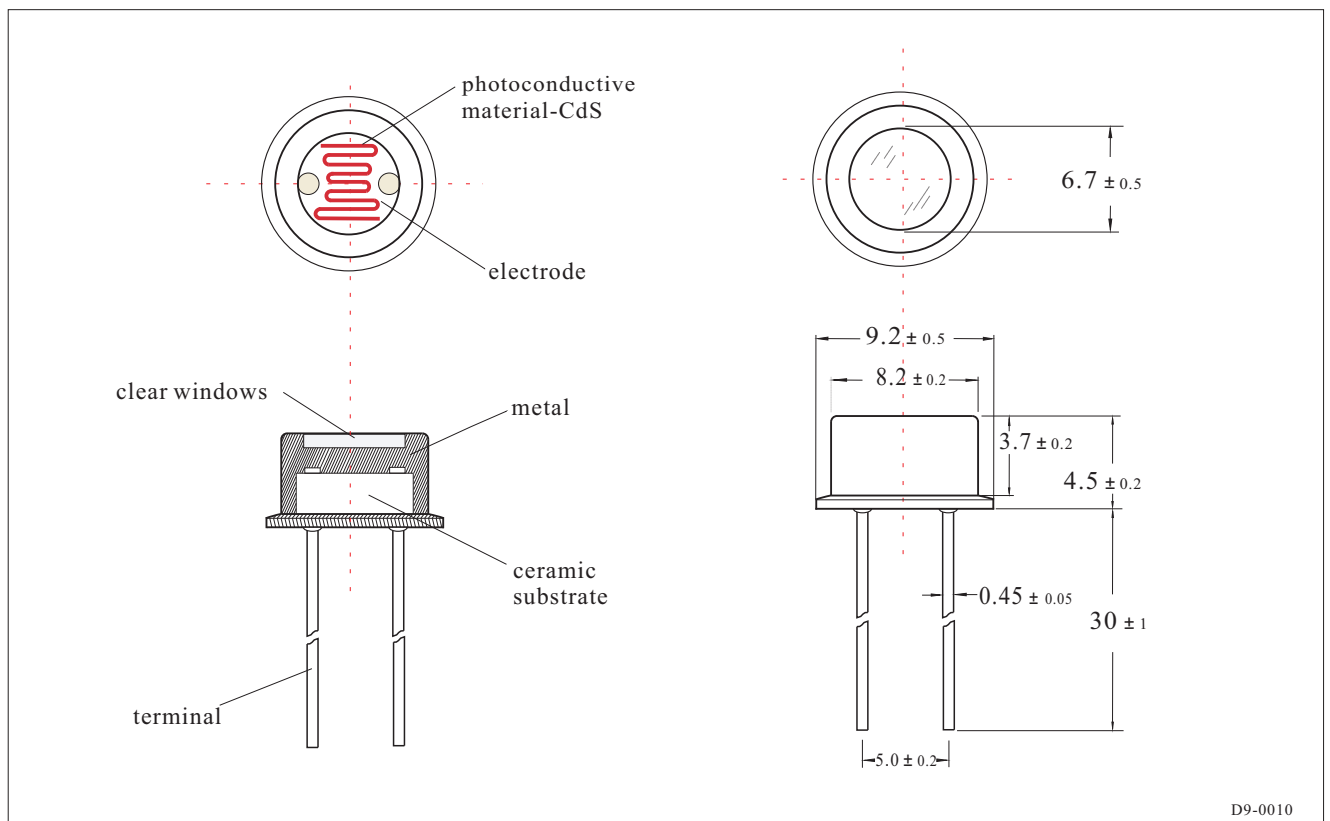
Parameter	Value	Unit
Max DC Voltage Applied	120	V
Max Power Dissipation at 25°C	150	mW
Ambient Temperature	-30 ~ +70	°C



### Electrical Characteristics at 25°C

Parameter	Symbol	Value	Unit
Light Resistance at 2ftc		0.4 ~ 0.8	KΩ
Dark Resistance Min.	Rd	0.4	MΩ
Gamma at (100-10)Lux	$\gamma(100/10)$	0.6 ± 0.1	
Spectral Response Peak		615	nm

### Package dimensions (Unit:mm)



D9-0010