



### Absolute Maximum Ratings(Ta = 25°C)

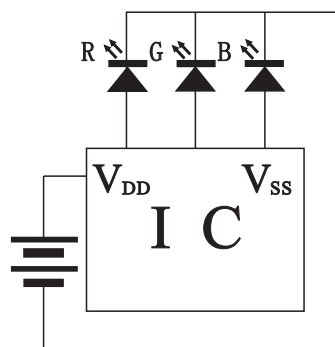
Parameter		Value	Unit
Operate Voltage		3.0~5.0	V
Dominant Wavelength	$\lambda_P$	R	620 nm
		G	515 nm
		B	460 nm
Operation Temperature		-30 ~ 80	°C
Storage Temperature		-30 ~ 85	°C

Color Display Sequence : R - G - B - RG - GB - RB - RBG  
 Cycle Time About : 32~48 sec

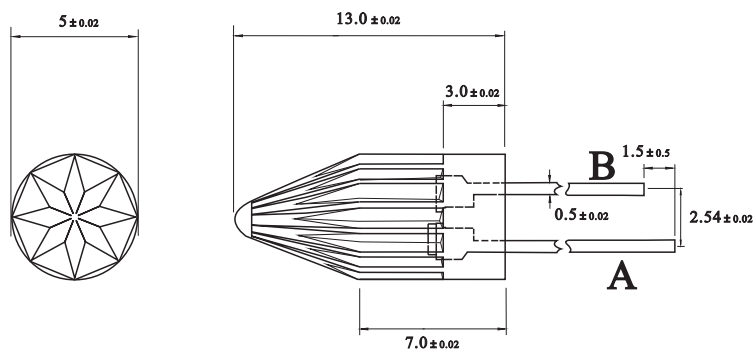
### Electrical Characteristics at 25°C

Parameter	Symbol	Conditions	Typ	Unit
Power Consumption	P <sub>O</sub>	V <sub>DD</sub> =4.5V	225	mW
Reverse Current	I <sub>R</sub>	V <sub>R</sub> =1.2	150	mA
Peak Forward Current	I <sub>PF</sub>	V <sub>DD</sub> =4.5V	85	mA
Continuous Forward Current	I <sub>F</sub>	V <sub>DD</sub> =4.5V	25~35	mA
Luminous Intensity	I <sub>v</sub>	V <sub>DD</sub> =4.5V I <sub>F</sub> =20mA	R	800 mcd
			G	2000 mcd
			B	1500 mcd
Flash Frequency	F	V <sub>F</sub> =4.5V	0.2	Hz

### Application Diagram



### Dimensions



Note  
 Unit:mm  
 A:Anode  
 B:Cathode

D7-0002